



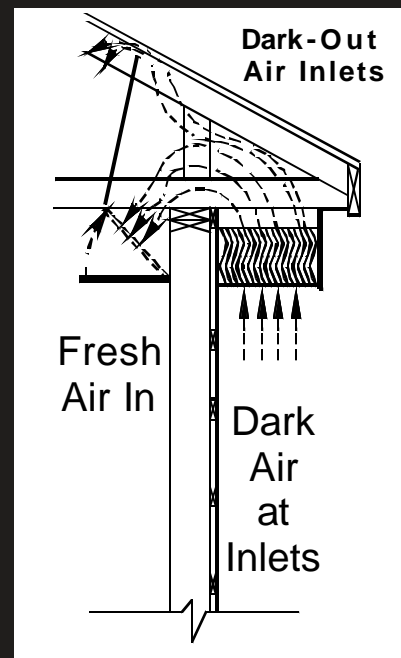
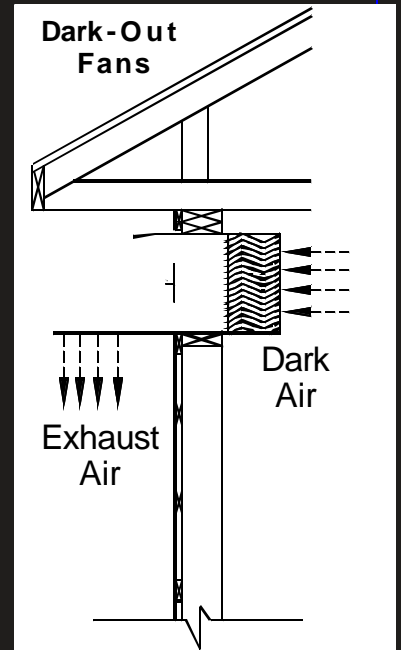
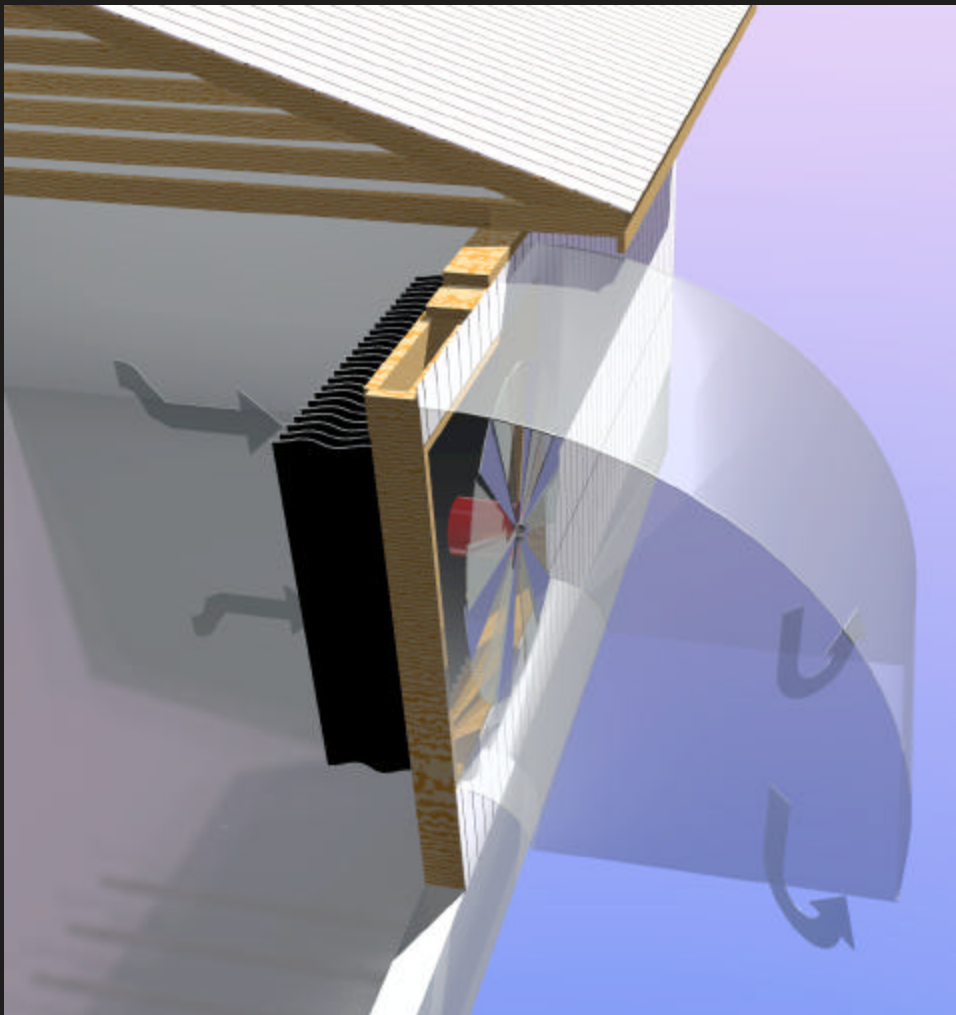
The Natural Ventilation Experts

Sun-North SYSTEMSLTD.

92 Railway Street, P.O. Box 668
Seaforth, Ontario N0K1W0

Dark Air

Providing fresh air and blocking out the light.



DARKAIR

To Dark-Out Fans and Air Inlets.
Eliminate light entry yet allowing free passage of air.
Two different profiles are available custom built to your needs.
Easy to remove and clean.

Dark Air

Is a series of smooth "S" shaped P.V.C. vanes engineered to eliminate light entry into poultry and livestock buildings.

Dark Air

Vanes are not affected by harsh chemicals or cold environments.

Sun-North Systems Ltd. is your Natural Ventilation Manufacturer

Contact us at:

Tel: 519-527-2470 Fax: 519-527-2560

<http://www.sunnorth.com>

E-mail: sunnorth@sunnorth.com

