



Nova-Lite ***XL***
PANEL

Owner's Manual



92 Railway Street, PO Box 668
Seaforth, Ontario, Canada
N0K 1W0
(519) 527-2470
www.sunnorth.com

Table of Contents

I.	Table of Contents	2
II.	Introduction	2
	Overview	2
	Important Information	2
III.	Maintenance	2
IV.	Parts & Components List	4
V.	Operation	4
	Opening the Windows	4
	Raising the Windows	4
VI.	Warranty	5
	Labour.....	5
	Product.....	5

Introduction

Overview

This Owner's Manual contains all essential information for the user to make full use of Sun-North's Nova-Lite XL Panel system.

Important Information

The Nova-Lite XL Panel system is designed to provide extra light for use in conjunction with Sun-North's other ventilation products.

Keep all areas below the Nova-Lite XL Panel system free of obstructions that could impede light penetration.

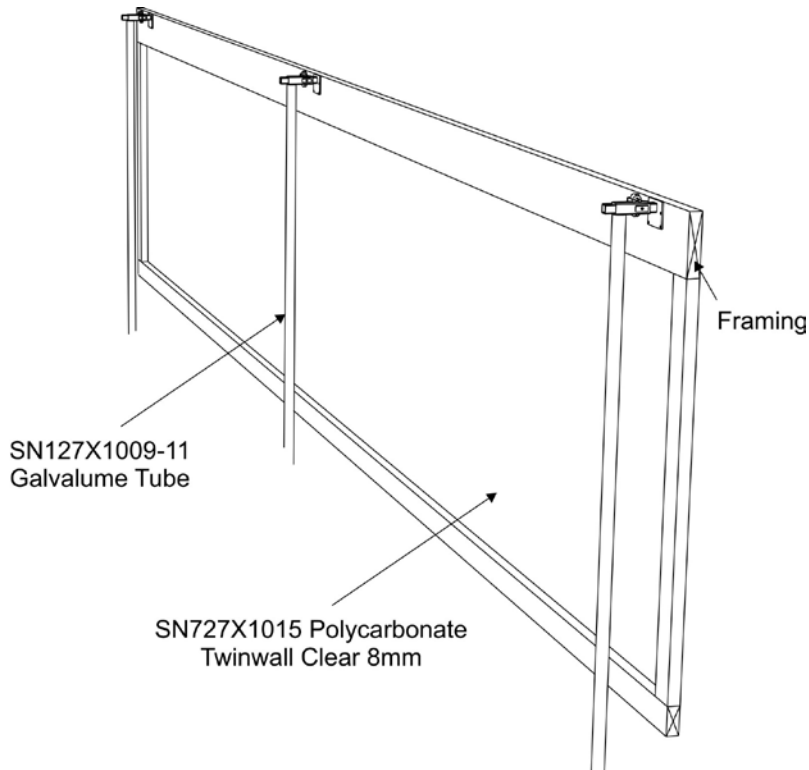
Maintenance

The durable corrosion resistant construction provides years or maintenance free operation.

- Keep all areas below the sliding windows free of obstacles that could impede the free operation of the windows dropping down.

-
- Do not place any objects on the sill inside the window openings that may touch the sliding windows.
 - Keep debris from building up on the pulleys and cable system. This is especially important when bird nests are found on the top of the cable pulleys and brackets holding the support pipes.
 - All cable system parts should be inspected to insure that the cable clamps are tight and cables are not damaged in any way. All pulleys, both main and secondary pulleys, must be turning freely when panels are moving up or down.
 - All pulleys are inspected to be sure that the cable is positioned in the correct location on the pulley, in the middle of the wheel groove.
 - Cable systems must be inspected to be certain that there is no part of the cable or clamps touching the header of the building above the opening. Metal flashing must be maintained tight and fastened properly as to not catch on the moving cables.
 - Check the fully closed position to be sure that the gasket is centered on the aluminum frame of the windows. Adjust the limit switches on the motors to suit.
 - Inspect the glazing to be sure that it is seated properly in the aluminum frame of the mullions and top and bottom frame of windows.
 - Check that when the windows are in the fully open position, there is still tension on the main cable. This is to maintain the cables in the correct position on the pulleys. The frame must NOT be allowed to rest on the lower support pipe bracket. Adjust when necessary.
 - Washing the windows? Use only LOW PRESSURE water supply. (If high pressure water is used, there could be damage to the glazing.) Mild detergent can be used, nonabrasive types only. Scrubbing with soft brush or cloth can be done by hand only. Rinse thoroughly with fresh water. Both inside and outside can be washed. Do not wash windows during cold weather as there may be a risk of freezing. Before attempting to wash electric operated windows, shut off all controls and power supply to motors.
 - Grease and oil all moving parts of winches and drive units. Inspect for rusting and corrosion that could reduce free operation.
 - Sealing gasket must be inspected for correct contact with aluminum frame when in fully closed position. The gasket should be lightly touching and slightly compressed by the aluminum frame. Adjust the support pipe telescoping bracket to have correct contact on both top and bottom.
 - For electric operated windows, fully open and fully close to check the correct stops of the limit switches. Adjust where necessary to correct position.

Parts & Components List



Operation

Opening the Windows

Turn hand winch or drive motor in direction to lower the windows.

- Lower the windows only low enough to allow for the upper frame of the windows to be level with the sill of the opening. There must always be tension on the main cable so that the secondary cables will also have tension and maintain the cables in correct position in the pulleys.

Raising the Windows

Turn hand winch or drive motor in direction to raise the windows.

- The maximum upper position is when the sealing gasket is centered on the frame of the windows. If raised too high, the cables clamps will come in contact with the pulleys. Sealing gasket on frame of building will be centered on aluminum frame of windows when in fully closed position.
- The windows are raised and lowered according to inside temperature required and outside weather conditions.

-
- If there is moisture on the inside of the windows during high humidity situations, and freezing temperatures outside, there is a chance that this moisture will freeze on contact point with the gasket.
 - When the windows are frozen, the frame must be tapped lightly by hand to free the ice, and then lowered slowly, making sure that the cables do not go slack.
 - To keep moisture from building up on the windows, they should be kept open more to allow for more air exchanges in the building to reduce the moisture build up. Moisture must be lowered inside building with exhaust of humid air.
 - Be certain that there are no obstructions outside before lowering the windows, the area along the side of the building below must be kept free of debris, i.e. Shovel handles, snow, weeds, manure, or any other thing that will not allow the panels to slide freely to the fully open position.
 - Livestock must not be allowed to have contact with any part of the windows or pipe guiding system. Fencing or protective barrier must be in place to keep this area below windows clear of obstructions.
 - In milking parlor applications, cows must NOT be allowed to have contact with the inside of the windows or cable system. Fencing / screening or pipes must be in place to stop contact.

Warranty

Labour

When a Sun-North installer delivers and installs Sun-North products, then the labour on that portion of the product we installed is warranted for 60 days from the date of installation. If there is a problem within 60 days, a Sun-North installer will return and repair the problem free of charge. If the customer installs the product, this labour warranty is not valid.

Product

This warranty covers defects in manufacturing for a period of three (3) years. Products that are not installed or maintained properly and/or are damaged by carelessness are not covered by this warranty.

Defective Products or material will be promptly repaired or replaced at Sun-North's plant, free of charge within the first 12 months from date of purchase (replacement is at Sun-North's discretion). This does not cover labour to remove or replace parts or freight, to and from the plant. Within the remaining 2 years of the warranty, Sun-North will repair the defective material at Sun-North's lowest shop rate of \$25/man hour, plus the base cost of replacement parts.

*****Sun-North will be responsible only for repairs or replacements of defective material, and will NOT be liable for any incidental or consequential damages arising out of the occurrence of such defects.**

******Sun-North shall not be liable or responsible for personal injury or damage to properly caused directly or indirectly by the supplied material or product.***