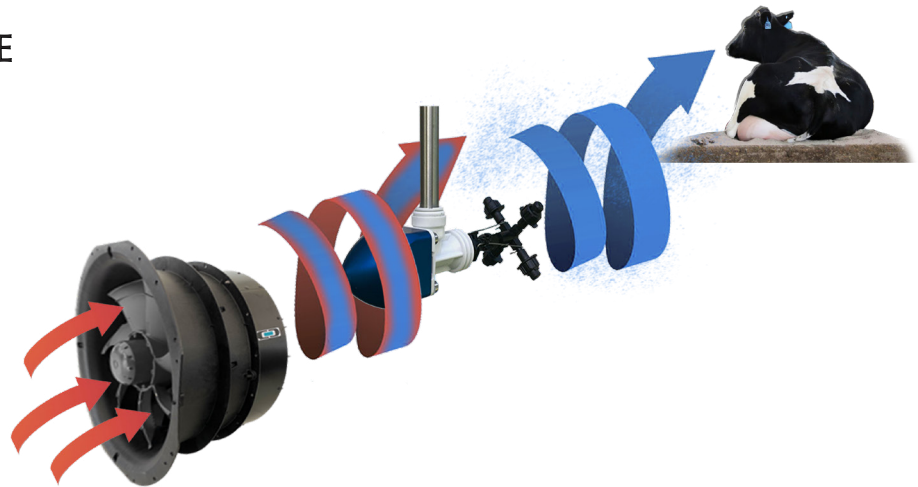


# Core Cool

MISTING SYSTEM

## INCLUDED IN CORE COOL PACKAGE

25" Core Cool Fan Assembly EC .....	X1
25" Core Cool Air Shaper.....	X1
Post Mount Bracket for 25" CC.....	X1
Core Cool Quad Tip Nozzle Assembly.....	X2
Ultra Fine Nozzle Tips .....	X8
Block Off Tips (not typically required).....	X2
PE Pipe 15mm (cut as needed) .....	65'
SS Pipe 15mm x 19".....	X2
PE Pipe 15mm x 78" .....	X2
Straight Connector 15mm.....	X2
Tee Connector 15mm.....	X2
Hardware Package.....	X1



## 25" CORE COOL SYSTEMS EC SPECIFICATIONS

### General

Diameter .....	25" (63.5 cm)
Number of Blades .....	5
Maximum Speed .....	1200 rpm
Operation Ambient Air Temperature .....	-31°F to 131°F (-35°C to 55°C)
Blades & Rotor .....	Cast Aluminum Powder Coated Blue
Housing .....	Polypropylene Black
Weight .....	57 lbs (26 kgs)

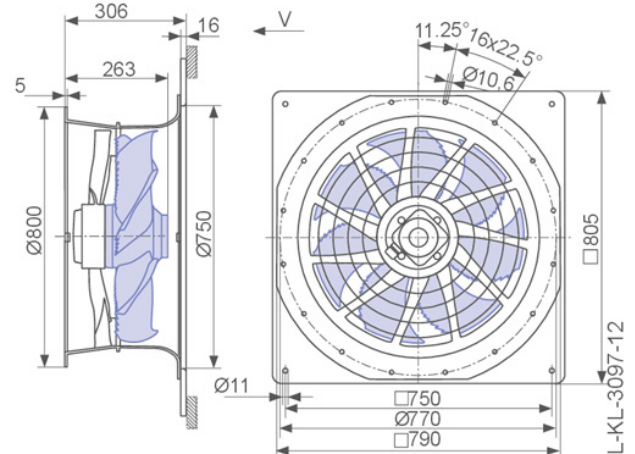
### Performance

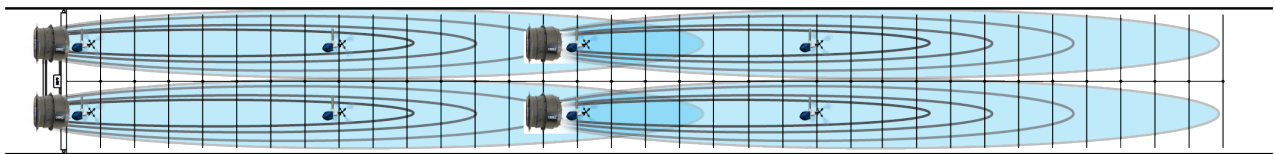
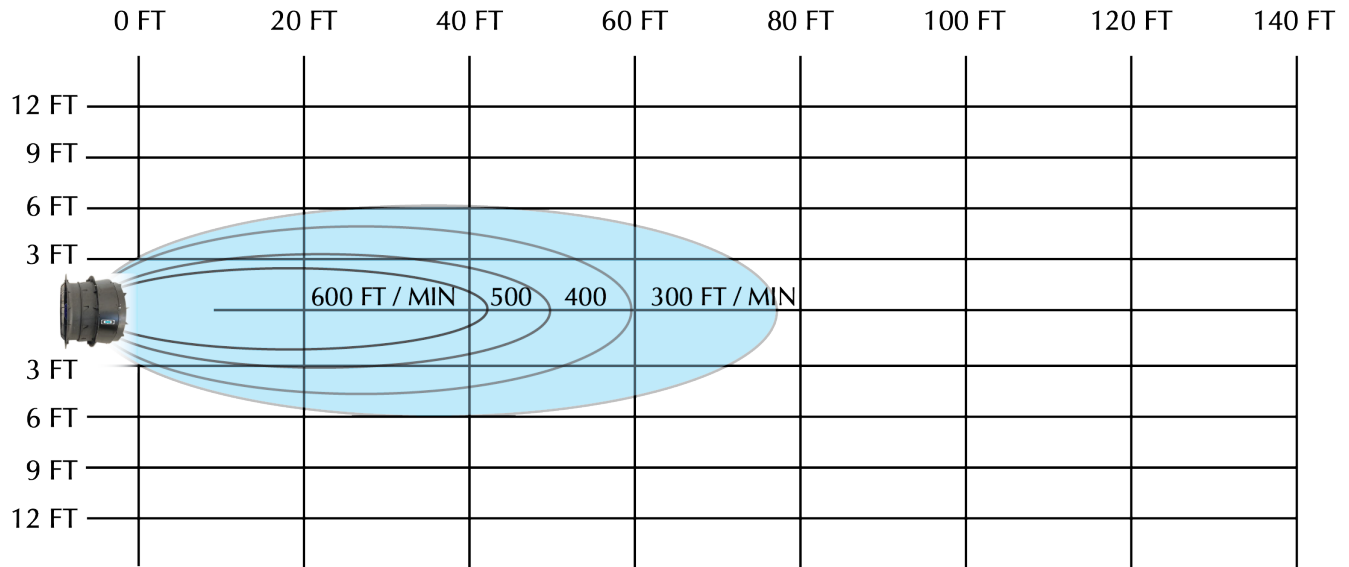
Area of Coverage.....	8' x 56' (2.4 m x 17 m)
Cows Cooled.....	14
Water Usage*.....	14L per hour

### Motor

Type.....	EC Variable Speed
Power.....	1.25 HP (0.94 kW)
Volt, Phase, Hertz .....	200 - 277 V, 1 PH, 50/60 Hz
Amps Consumed.....	4.8 - 3.4 A
Degree of Protection .....	IP55

\*Water usage based on 25% cycle.  
These specifications are guidelines only and are subject to change without notice.





**STALL COVERAGE VIEW**

